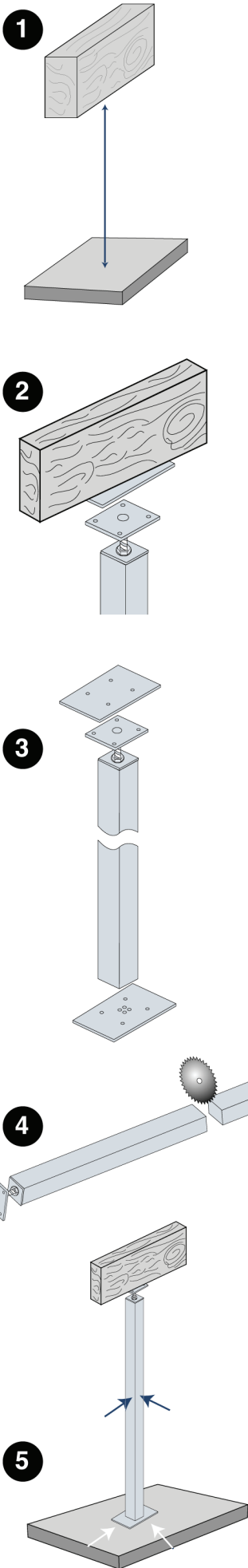


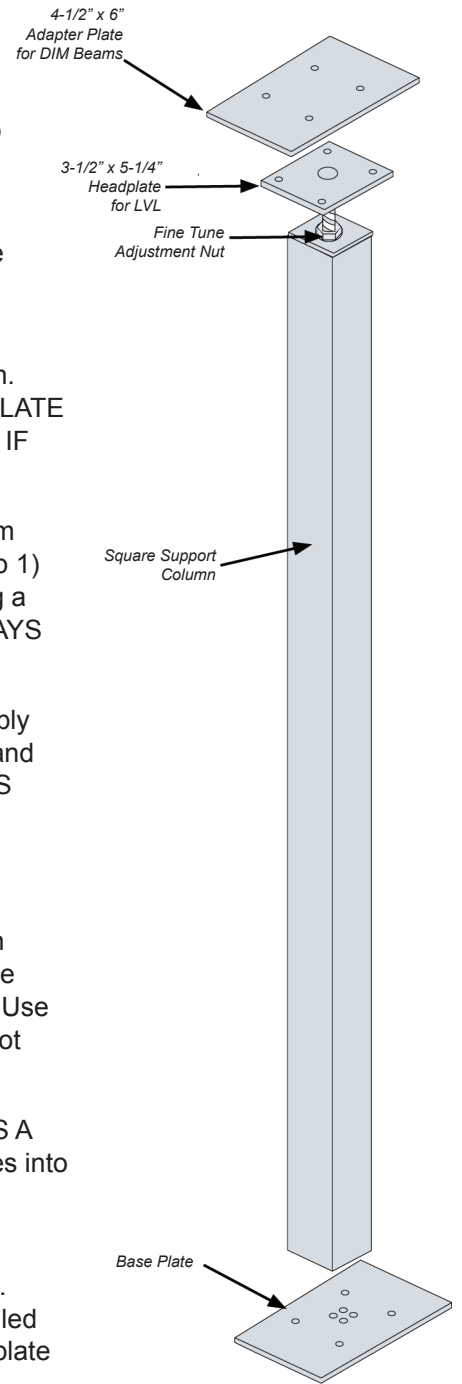
# Assembly Instructions

## Wesure Support Systems

### WMA, WMB, WMC, WMD



1. Measure from top of footing to UNDERSIDE of beam to be supported.
2. Ensure the threaded rod is clear. Should there be any welding slag\* on the rod, simply brush it off using a wire brush. Twist the fine tuning adjustment nut to halfway position.
3. Place base plate (and adaptor plate - if used) in position. While assembled, measure from BOTTOM OF BASE PLATE TO TOP OF HEAD UNIT (INCLUDE ADAPTOR PLATE IF USED FOR DIMENSIONAL LUMBER).
4. Subtract this measurement (STEP 3) from footing to beam distance (step 1). The DIFFERENCE (step 3 minus step 1) should be cut off the square column at the bottom using a metal cutoff blade, ensuring cut is level and true. (ALWAYS wear safety glasses and gloves.)
5. Place base plate under column and position the assembly under the beam (beam over the head unit completely) and centered on the concrete footing. ENSURE COLUMN IS PLUMB IN BOTH DIRECTIONS (CONCENTRIC).
6. Turn head so it covers the beam completely and the threaded rod is centered on the beam. If supporting dimensional lumber beam, insert adaptor plate between head and beam. Line up holes. Turn adjusting nut on the threaded rod to raise or lower head to desired position. Use a proper wrench (not a pipe wrench or vise grips). Do not over torque by using a wrench handle extension.
7. Secure head to beam through holes provided, using, AS A MINIMUM, 3 inch x 1/4 inch lag bolts. (After drilling holes into the beam as per holes in the head.)
8. **FOR EARTHQUAKE AND TORNADO RESISTANT INSTALLATIONS:** Base plate must be bolted to footing. Head must be bolted to beam. 3/8 inch bolt must be drilled for and pass through square column and inner vertical plate welded to foot plate (Drill hole laterally centered).
9. Concrete floor is then poured over footing and around base of column.



\* Best efforts are made to protect threaded rods from welding slag. Any unintended slag on the rods should be easy to remove with a wire brush.